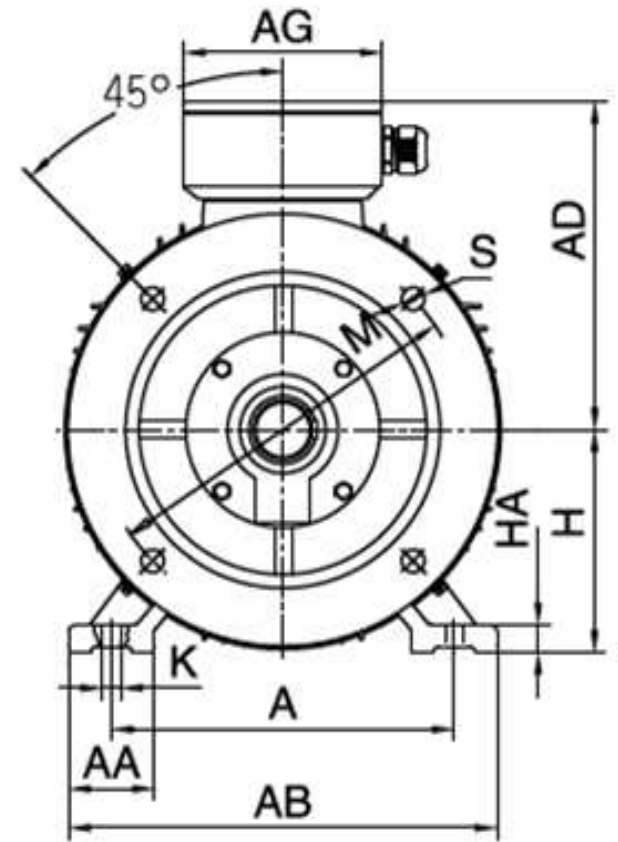
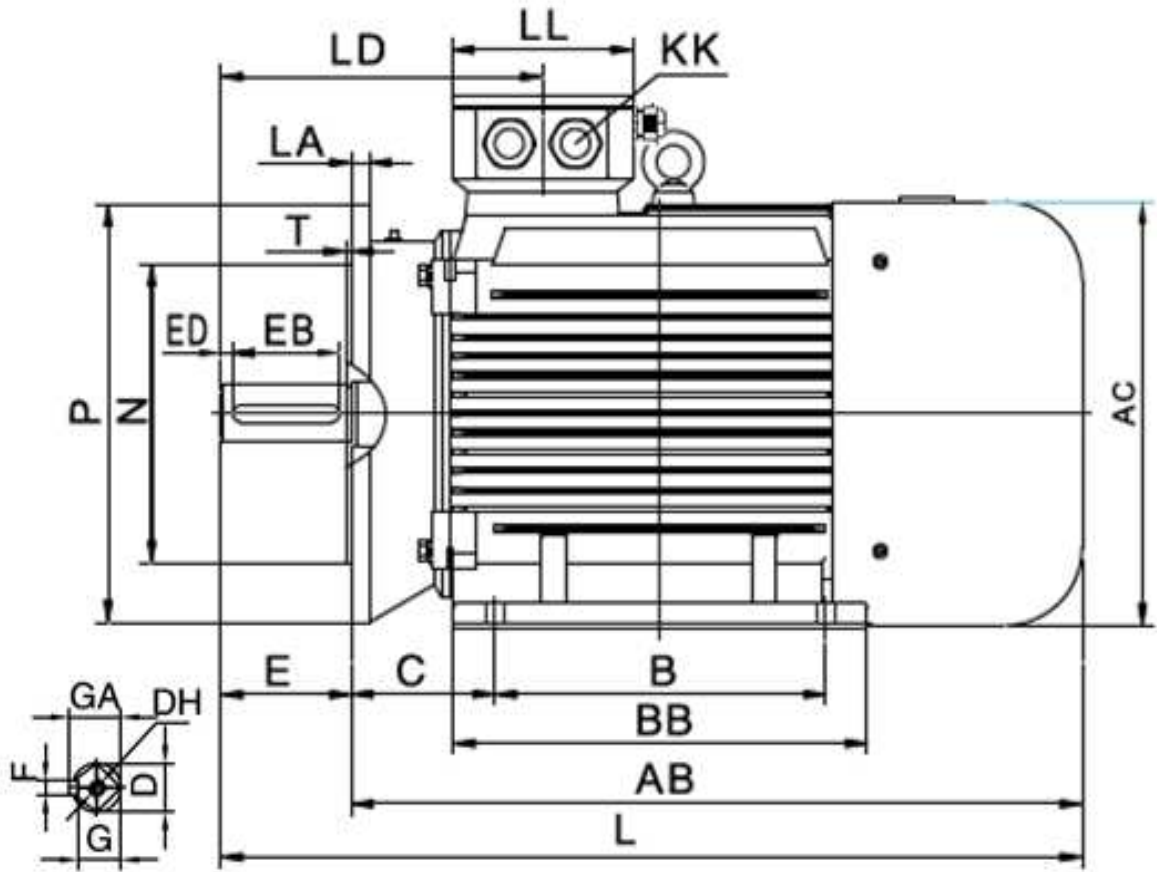
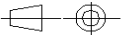


Orientation



| | | | | | | | | | | | | HP | RPM | Frame | Wgt lb | IJC200L3-4-B35 |
|-----|-----|-----|-----|-----|-----|-----|-----|------------|---------------|----|------------------------------------|----|--------------------|-------|-----------|-------------------------------------|
| A | AA | AB | AC | AD | AG | B | BA | BB | C | D | DH | 40 | 1775 | 200L | 585.0 | IEC Motor ,Cast Iron, IE3 Efficient |
| 318 | 70 | 388 | 400 | 304 | 210 | 305 | - | 369 | 133 | 55 | M20 X 42 | | | | | |
| E | EB | ED | F | G | GA | H | HA | K | KK (1) | | KK (2) | | KK (3) | | | |
| 110 | 100 | 5 | 16 | 49 | 59 | 200 | 25 | 4 - Ø 18.5 | 1 - M50 X 1.5 | | 1 - 1.5"NPT | | 1 - M16 X 1.5 | | | |
| | L | LA | LB | LD | LL | M | N | P | S | T | Dimensions are in millimeters (mm) | | Revised: Nov. 2016 | | MaxMotion | |
| | 746 | 17 | 636 | 296 | 190 | 350 | 300 | 400 | 18.5 | 5 | | | | | | |